

1

PART NAME

SS200 PANEL PROFILE

PART NUMBER

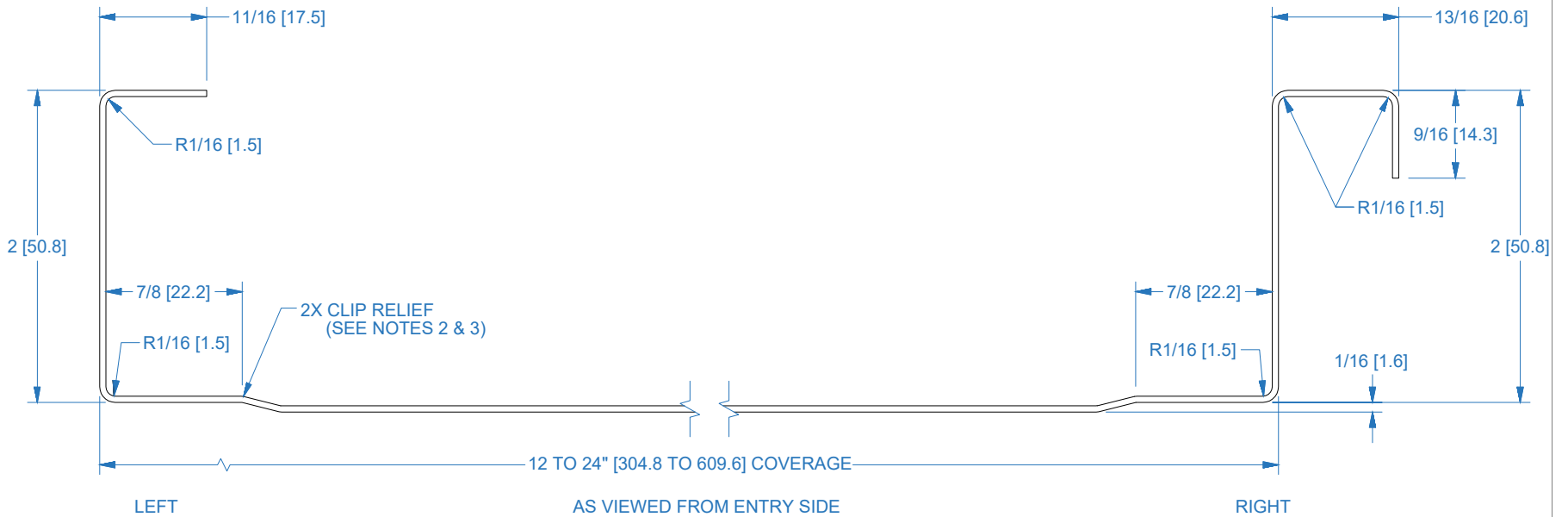
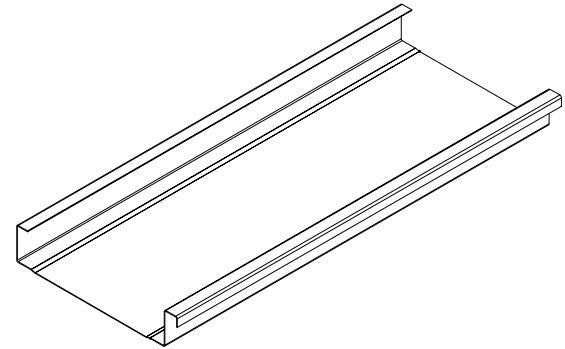
SP2-200P

MATERIAL

PAINTED STEEL/PAINTED ALUMINUM/COPPER

NOTES:

- 1. MATERIAL USAGE: APPROX. 5-13/16" [147.6]
- 2. CLIP RELIEF ROLLERS ARE STANDARD WITH THIS PANEL.
- 3. PANEL IS SHOWN WITH CLIP RELIEF ROLLERS ENGAGED.
- 4. DUAL DIMENSIONS: Inch [mm]



**EP FABTECH METALS MFG**

1381 DARRINGTON RD. SUITE C  
EL PASO, TEXAS

(915)-775-3539  
79928

Job Name:

Job Location:

Purchaser:

SHT. #1



**FABTECH**