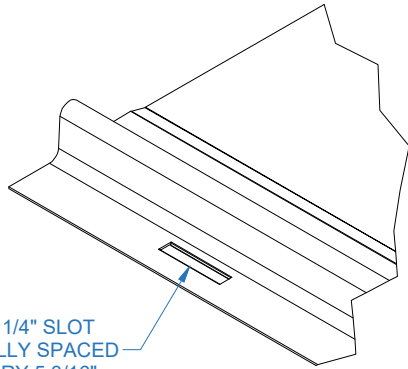


1

PART NAME
FF100 PANEL PROFILE

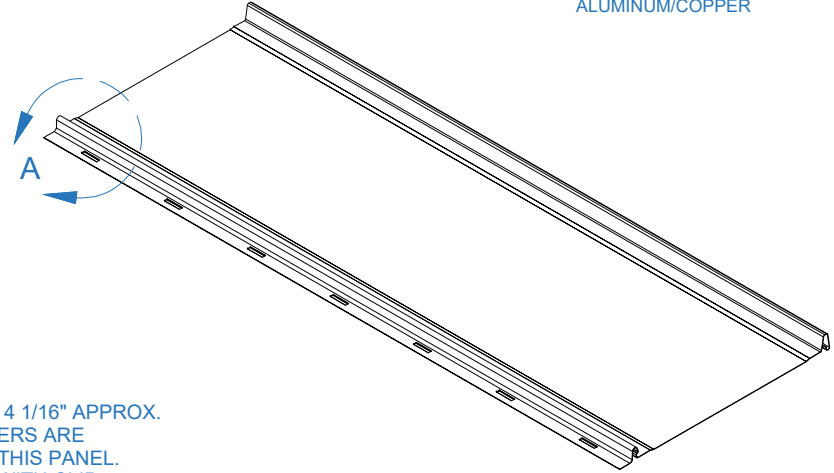
PART NUMBER
FF1-FF1

MATERIAL
**PAINTED STEEL/PAINTED
ALUMINUM/COPPER**

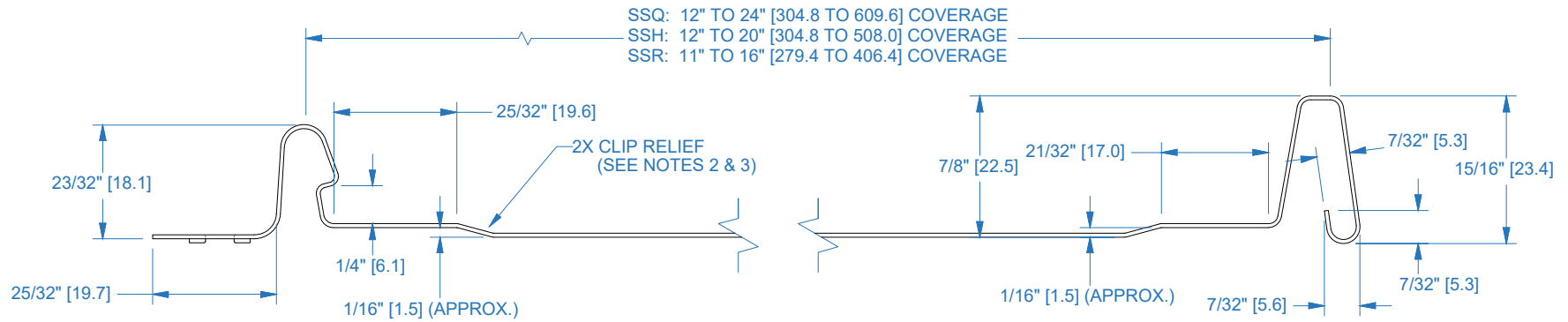


1" x 1/4" SLOT
EQUALLY SPACED
EVERY 5 3/16"

DETAIL A



- NOTES:
1. MATERIAL USAGE: 4 1/16" APPROX.
 2. CLIP RELIEF ROLLERS ARE STANDARD WITH THIS PANEL.
 3. PANEL IS SHOWN WITH CLIP RELIEF ROLLERS ENGAGED.
 4. DUAL DIMENSIONS: Inch [mm]



EP FABTECH METALS MFG

1381 DARRINGTON RD. SUITE C
EL PASO, TEXAS

(915)-775-3539
79928

Job Name:

Job Location:

SCALE: N.T.S.

DATE: 07/07/2023

DRAWN BY: RC

Purchaser:

SHT. #1



FABTECH