

**NOTE:**

- 1. COIL WIDTH: 20" (508mm)
- 2. DUAL DIMENSIONS: Inch [mm]

MATERIAL

PAINTED STEEL/PAINTED ALUMINUM/COPPER

PART NUMBER

**BG7-HK7**

PART NAME

**BG7 GUTTER WITH HOOK**

**EP FABTECH METALS MFG**

1381 DARRINGTON RD. SUITE C  
EL PASO, TEXAS

(915)-775-3539  
79928

Job Name:

Job Location:

SCALE: N.T.S.

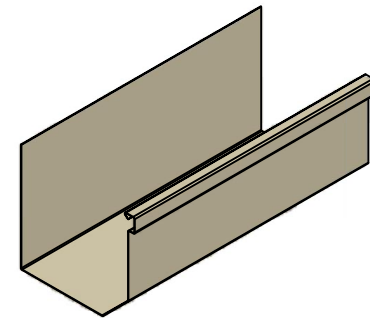
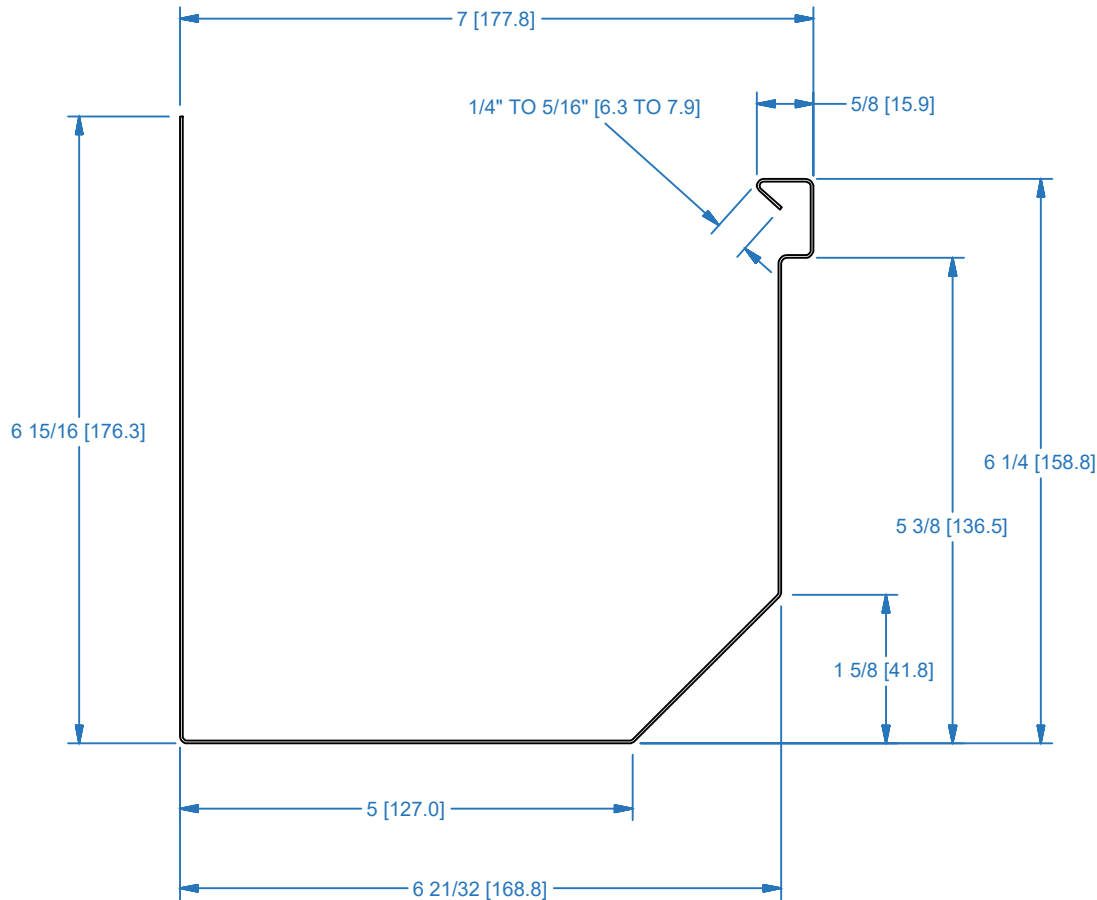
DATE: 11/15/2023

DRAWN BY: RC

Purchaser:

SHT. #1





**NOTE:**

- 1. COIL WIDTH: 20" (508mm)
- 2. DUAL DIMENSIONS: Inch [mm]

MATERIAL

PAINTED STEEL/PAINTED  
ALUMINUM/COPPER

PART NUMBER

**BG7-SB7**

PART NAME

**BG7 GUTTER WITH  
STRAIGHT BACK**

**EP FABTECH METALS MFG**

1381 DARRINGTON RD. SUITE C  
EL PASO, TEXAS

(915)-775-3539  
79928

Job Name:

Job Location:

SCALE: N.T.S.

DATE: 11/15/2023

DRAWN BY: RC

Purchaser:

SHT. #1

