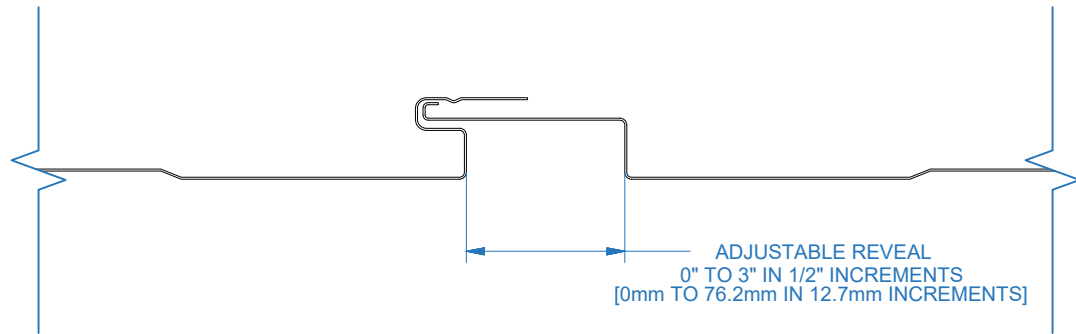


NOTES:

1. MATERIAL USAGE: 4" [100 mm]
2. WHEN USING PERFORATOR:
MAXIMUM NET FREE AREA = 3.08
SQUARE INCHES PER 12 INCHES
OF PERFORATION
[1987 sq. mm / 304.8 mm]
3. MAXIMUM OF TWO PERFORATIONS
PER PANEL.
4. DUAL DIMENSIONS: Inch [mm]



EP FABTECH METALS MFG

1381 DARRINGTON RD. SUITE C
EL PASO, TEXAS

(915)-775-3539
79928

Job Name:

Job Location:

SCALE: N.T.S.

DATE: 07/07/2023

DRAWN BY: RC

Purchaser:

SHT. #1

